

The KYTOLA® Oval Gear Meter Model SR is designed and developed for lubrication oil measurement in demanding industrial environments.

The Model SR oval gear meter is a positive displacement meter which always shows the correct flow rate regardless of oil temperature or viscosity changes.



- For oil
- Single or multi-channel models
- Max. 120 L/min
- Kytola coil or NAMUR sensors
- NPT or BSP connectors
- Flow adjustment valves
- ATEX version (II 2GD c TX) as option



ISO 9001:2008 ISO 14001:2004

OVAL GEAR METER SR

FEATURES

Large viscosity range
30 – 1000 cSt

Independent of viscosity and
temperature changes

Transparent cover provides
highly visible oil flow indication

Pulse output

Sturdy construction

By-pass valves for service
“on the run”

TYPICAL APPLICATIONS

Lubrication oil flow monitoring

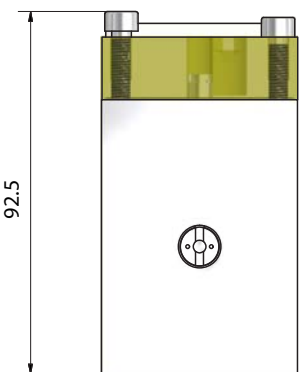
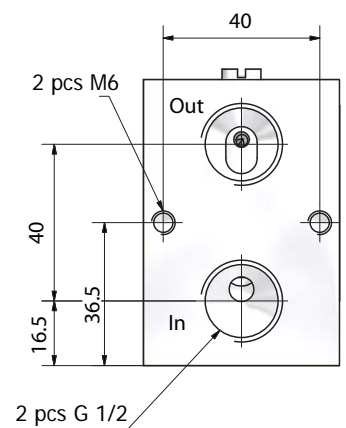
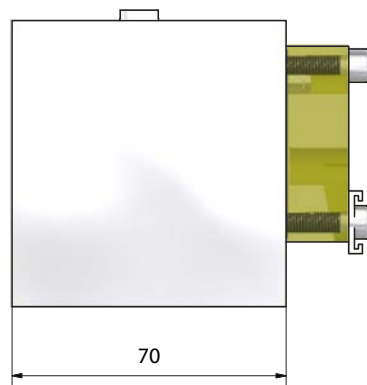
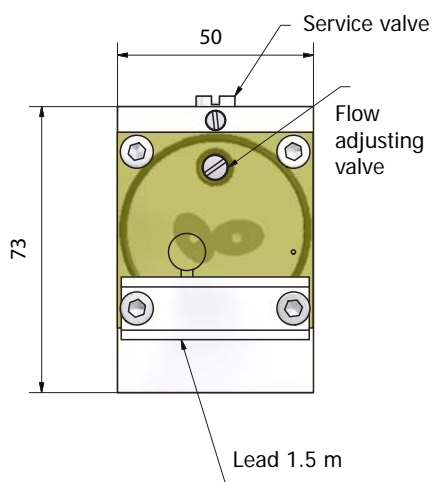
Industrial flow monitoring

Process control

SR-x Single Channel

TECHNICAL DATA

Model	SR-1	SR-2.5	SR-6
Output pulses/liter	2100	1062	290
Connections BSP/NPT	1/2"	1/2"	1/2"
Weight	0.6 kg	0.6 kg	0.6 kg
Gears	Composite polymer		
Body	Aluminium		
Cover	Polyamide		
Valve	AISI 316		
Seals	Viton®		
Sensor	Kytola coil (compatible with Kytola measuring stations) or NAMUR; DIN 19234		
Max. pressure	10 bar (20 bar*)		
Max. temperature	+80°C		
Viscosity range	30 – 1000 cSt		
Accuracy	±5 % of reading		* Special construction on request



SR- -8850- S

Flow Range

0.1 – 1	L/min	1
0.2 – 2.5	L/min	2.5
1 – 6	L/min	6

Connections

BSP threads	blank
NPT threads	N

Sensor

Kytola coil (Compatible with Kytola measuring stations)	blank
NAMUR	A
Without sensor (M12 x 1 thread)	D

Service valve (standard)

Special Feature

ATEX version Z

Standard feature: leave *blank*
Special feature: choose Character

SR-2.5



Kytola
INSTRUMENTS

www.kytola.com

Kytola Instruments Oy
Olli Kytölään tie 1
FI-40950 Muurame, Finland
Tel. +358 20 779 0690
Fax +358 14 631 419
E-mail info@kytola.com

SR Single Channel

TECHNICAL DATA

Model	SR-10	SR-20	SR-30	SR-60	SR-100
Output, pulses/liter	126.8	75.8	49.8	22.4	12.4
Connections NPT/BSP	1"	1"	1"	1½"	1½"
Weight	1.7 kg	1.9 kg	2.6 kg	5.0 kg	10.5 kg
Gears	Brass				
Body	Aluminium				
Cover	PA				
Valve spindle	AISI 316				
Seals	Viton®				
Sensor	Kytola coil (compatible with Kytola measuring stations) or NAMUR; DIN 19234				
Max. pressure	10 bar (20 bar*)				
Max. temperature	+80°C				
Viscosity range	30 – 1000 cSt				
Accuracy	±5 % of reading				

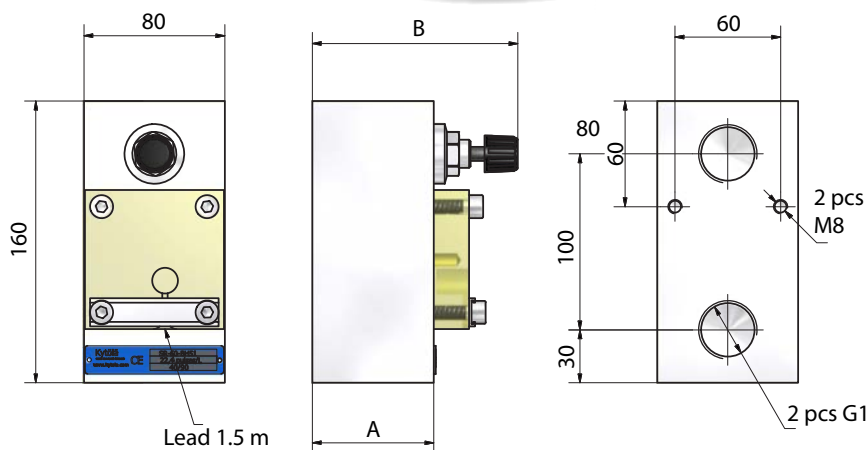
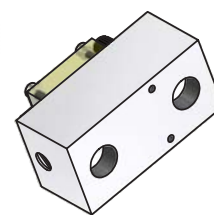
* Special construction on request

SR- [] - [] - [] - [] - []		
Flow Range		
1 – 10 L/min		10
2 – 20 L/min		20
3 – 30 L/min		30
6 – 60 L/min		60
10 – 120 L/min		100
Connection Type		
End connections		7844
Back connections (10–30 L/min)		8850
Back connections (60–120 L/min)		BH51
Connections		
BSP threads		<i>blank</i>
NPT threads		N
Sensors		
Kytola coil (Compatible with Kytola measuring stations)		<i>blank</i>
NAMUR		A
Without sensor (M12 x 1 thread)		D
Special Feature		
ATEX version		Z

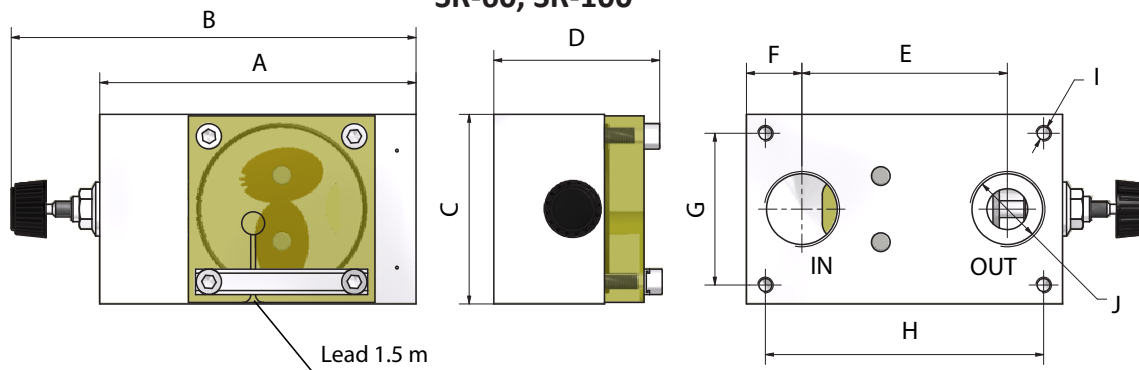
Standard feature: leave *blank*
Special feature: choose Character

SR-10...30

Model	A	B
SR-10	49	96
SR-20	49	96
SR-30	69	116



SR-60, SR-100



Model	A	B	C	D	E	F	G	H	I	J
SR-60	200	250	120	107	130	35	96	176	M10	G 1½
SR-100	200	250	200	117	120	40	160	160	M12	G 1½



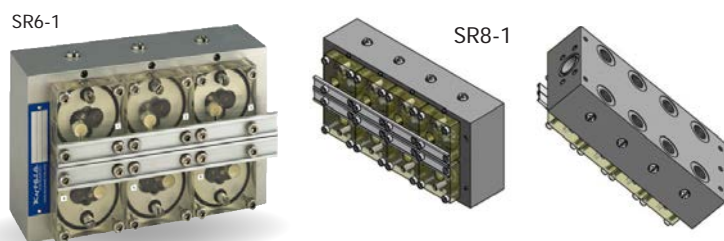
www.kytola.com

Kytola Instruments Oy
 Olli Kytölään tie 1
 FI-40950 Muurame, Finland
 Tel. +358 20 779 0690
 Fax +358 14 631 419
 E-mail info@kytola.com

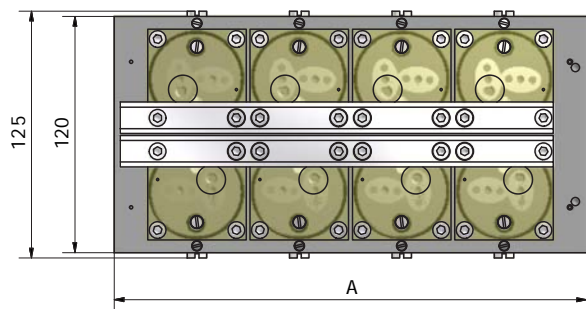
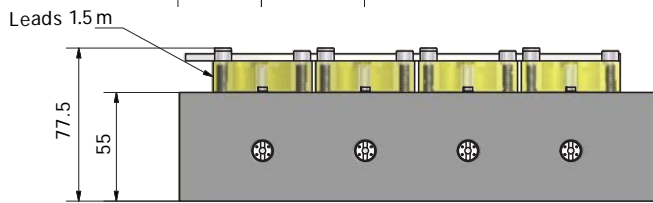
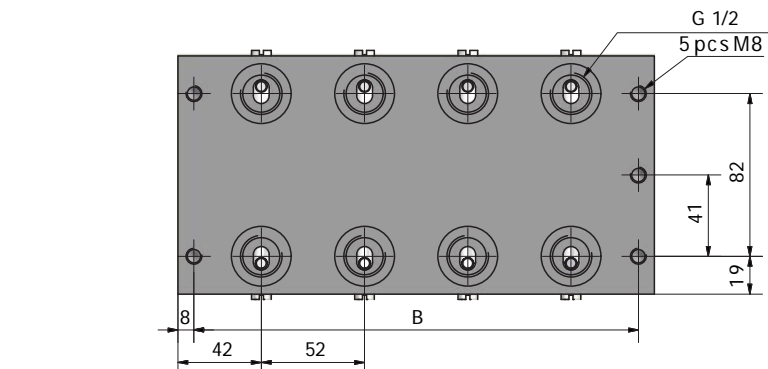
SRx-x Multi-Channel

TECHNICAL DATA

Model	SRx-1	SRx-2.5	SRx-6
Output pulses/liter	2100	1062	290
Connections BSP/NPT	1/2"	1/2"	1/2"
Weight	SR4: 2.5 kg	SR6: 3.5 kg	SR8: 4.5 kg
Gears	Composite polymer		
Body	Aluminium		
Cover	Polyamide		
Valve	AISI 316		
Seals	Viton®		
Sensor	Kytola coil (compatible with Kytola measuring stations) or NAMUR; DIN 19234		
Max. pressure	10 bar (20 bar*)		
Max. temperature	+80°C		
Viscosity range	30 – 1000 cSt		
Accuracy	±5 % of reading		* Special construction on request



Multi-channel Model	4 measuring points	6 measuring points	8 measuring points
Flow Range	0.1 – 1 L/min	0.2 – 2.5 L/min	0.6 – 6 L/min
Sensor	Kytola coil (Compatible with Kytola measuring stations) <i>blank</i>		
	NAMUR A		
	Without sensor (M12 x 1 thread) D		
Connections	BSP threads <i>blank</i>		
	NPT threads N		
Service valve (standard)	N		
Special Feature	ATEX version Z		



x	A	B
4	136	120
6	188	172
8	240	224

Standard feature: leave *blank*
Special feature: choose Character



www.kytola.com

Kytola Instruments Oy
 Olli Kytölään tie 1
 FI-40950 Muurame, Finland
 Tel. +358 20 779 0690
 Fax +358 14 631 419
 E-mail info@kytola.com